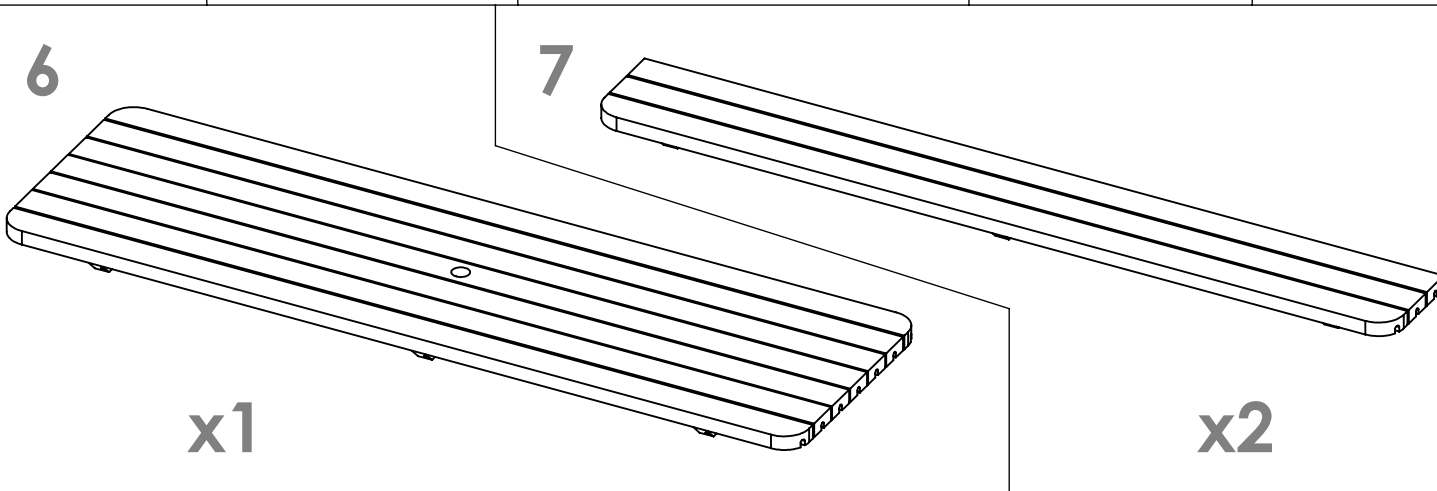
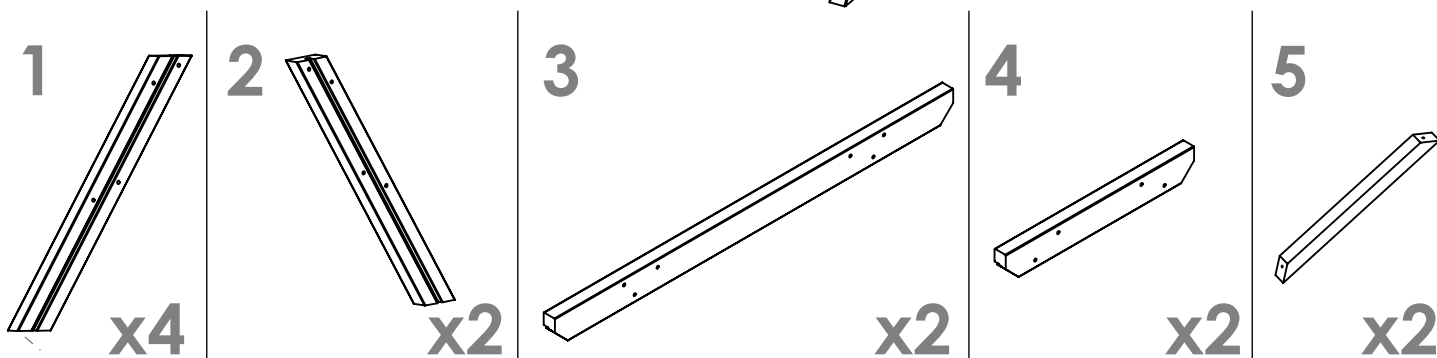
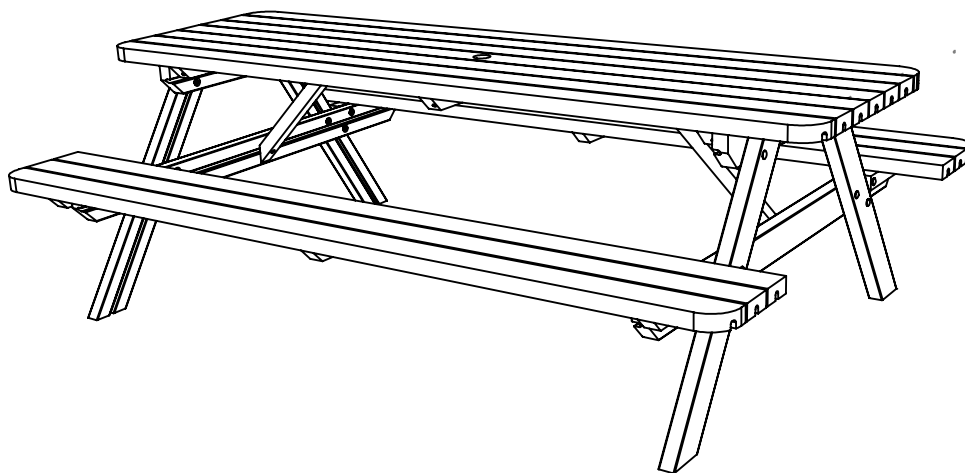
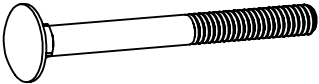



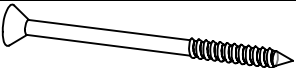
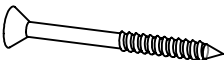
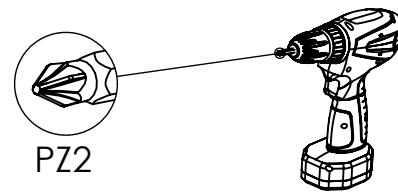
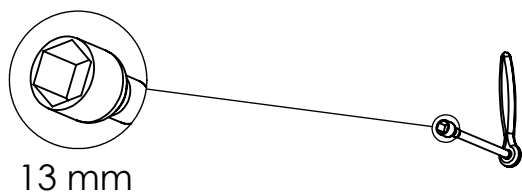


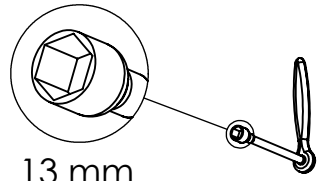
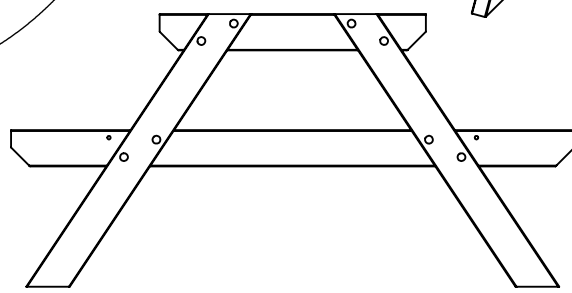
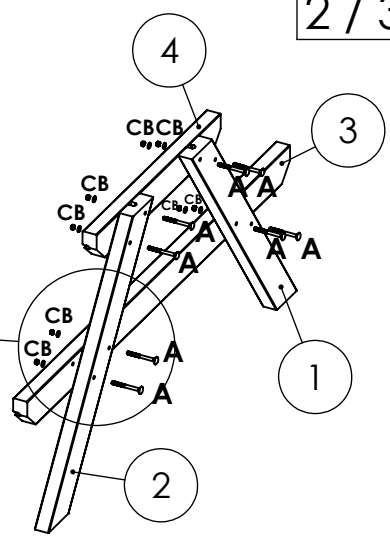
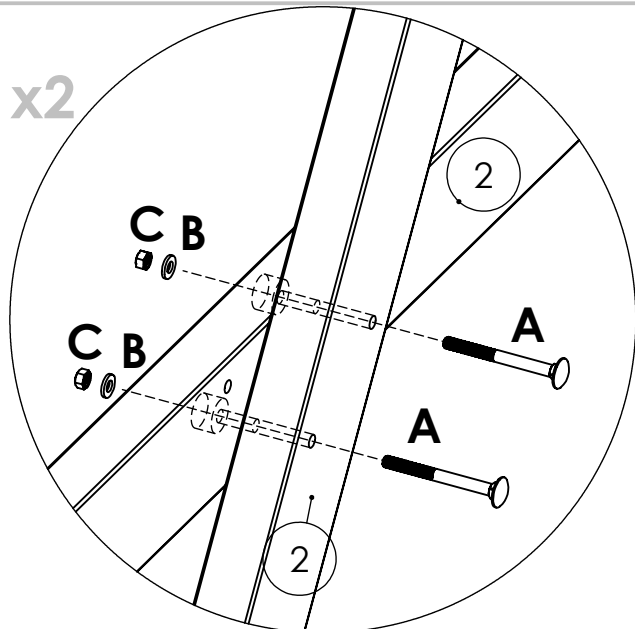
PICKNICKTABLE 240

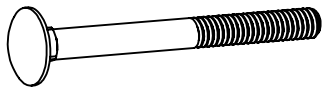




A		M8x80	x20
B		M8	x20
C		M8	x16
D		M8k	x4
E		4x70	x8
F		4x50	x4

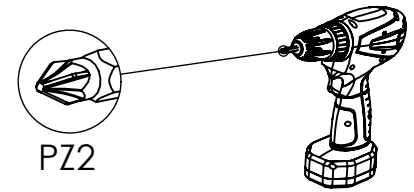
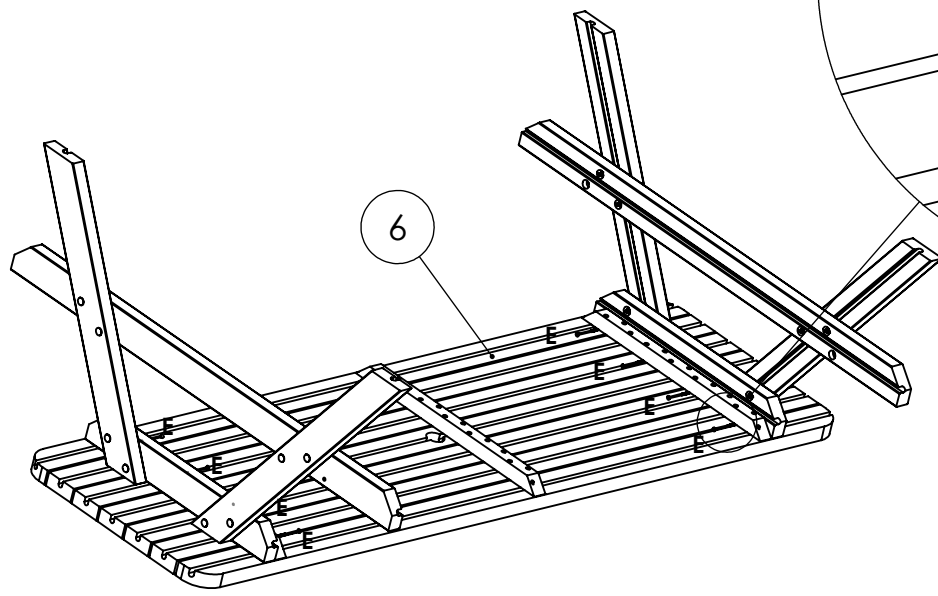
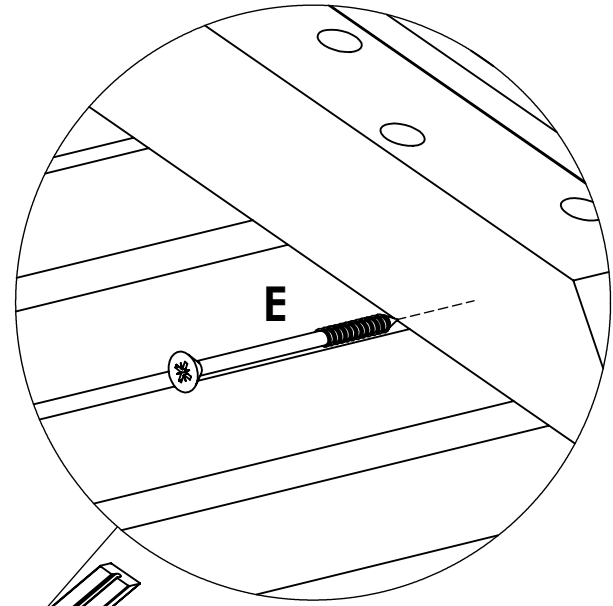


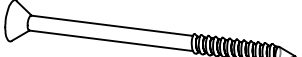
1 x2



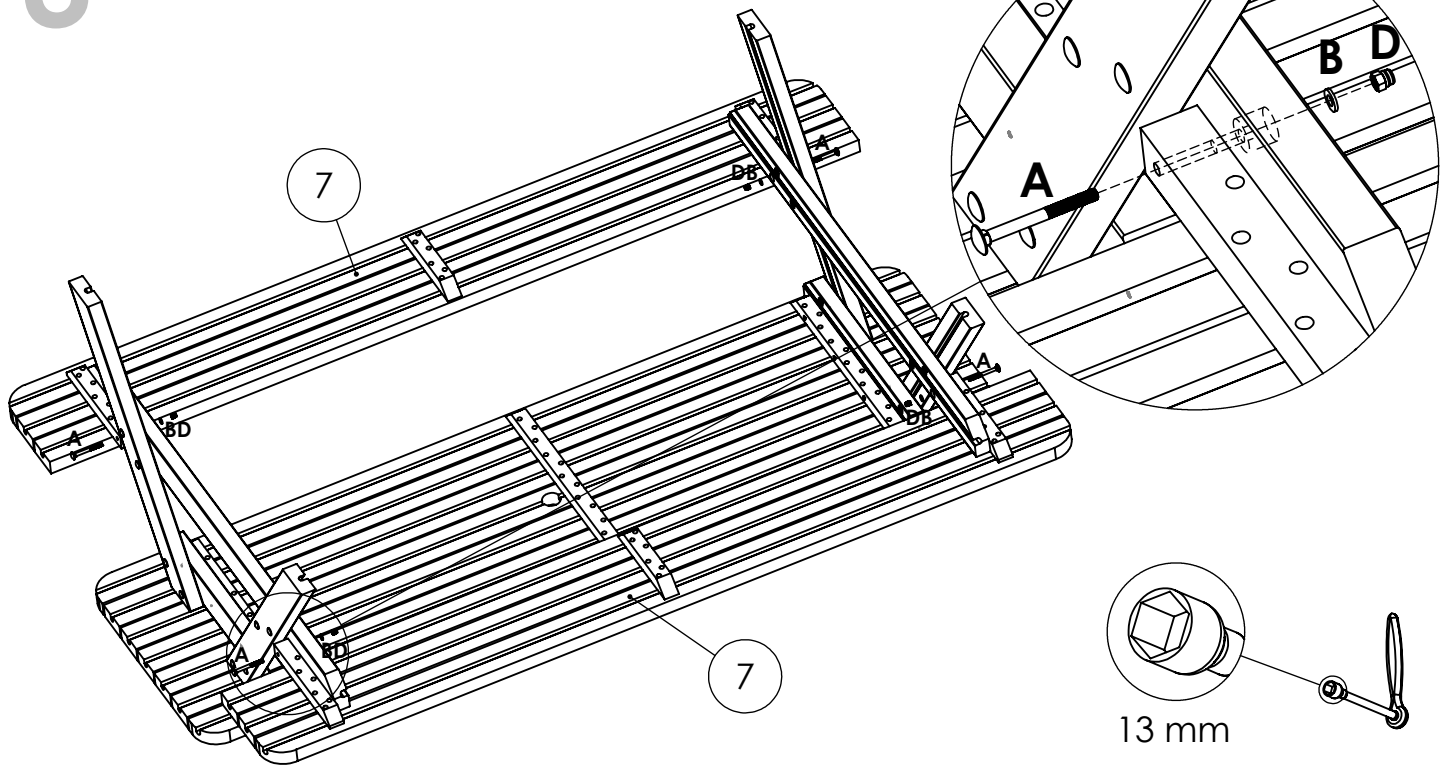
A		M8x80	x16
B		M8	x16
C		M8	x16

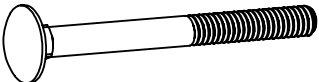


2



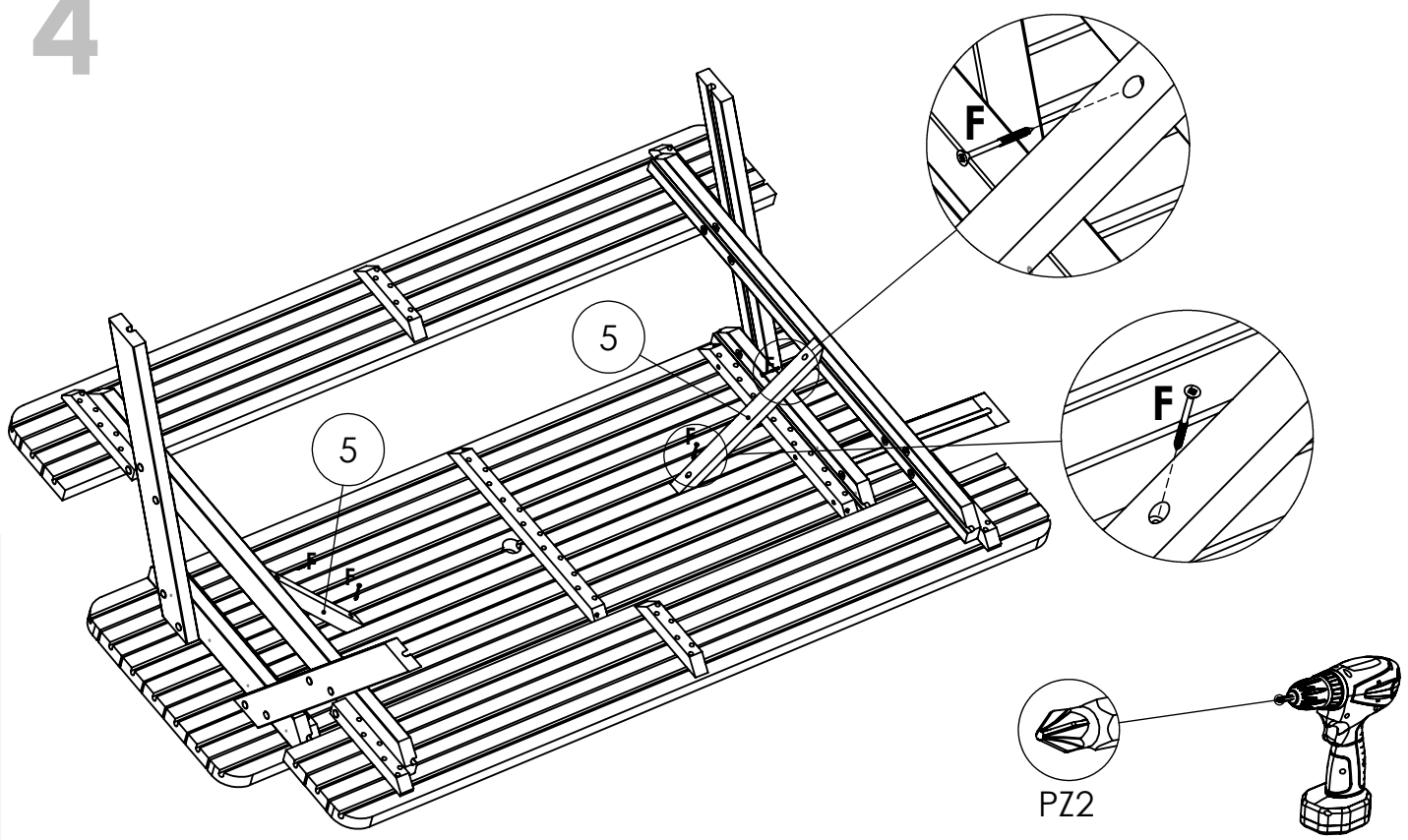
E		4x70	x8
----------	---	-------------	-----------

3



A		M8x80	x4
B		M8	x4
D		M8k	x4

4



F		4x50	x4
----------	---	-------------	-----------